

Packaged MEMS Mirror Chips

1.0 Application

Fiber optics, Lidar, 3D sensing, Display, Biomedical, VR and other optical applications

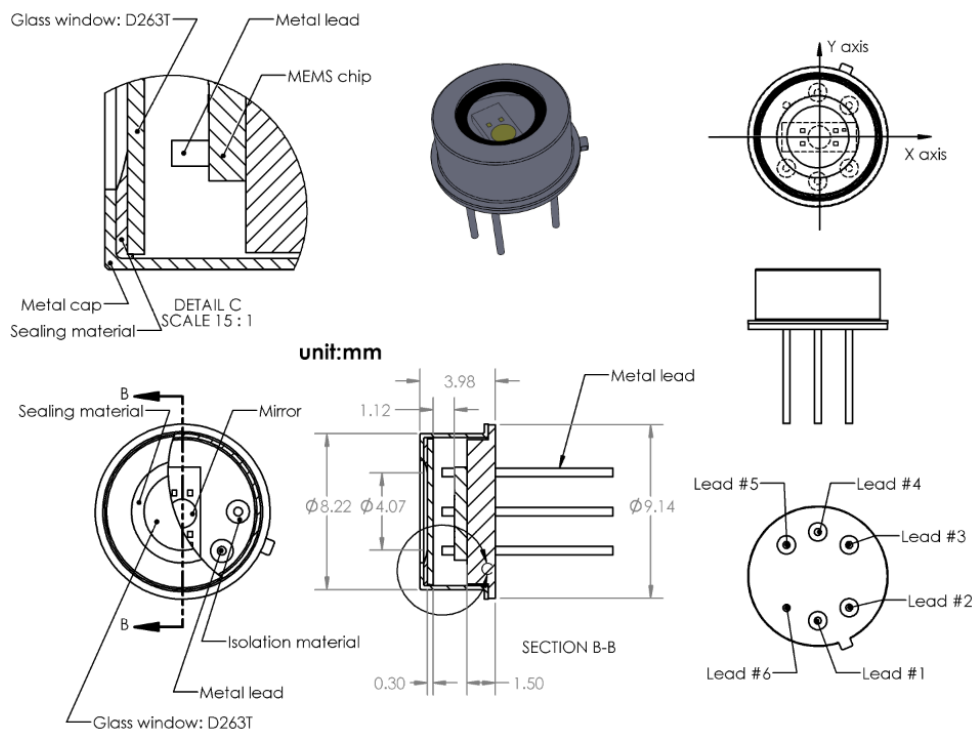
2.0 Key specification

- Single and dual axis tilting mirror;
- Electrostatic actuation;
- Al or Au coated mirror;
- Quasi static and resonating modes;
- Package size: $\varnothing 8.22 \times 3.98$ mm
- FOV (Optical Field of View):

Part #	Mirror Size	X Axis Max Angle	Y Axis Max Angle
PMC-TO39-0.8-1	0.8mm	13	10
PMC-TO39-1.0-1	1.0mm	20	10
PMC-TO39-1.2-1	1.2mm	20	0
PMC-TO39-1.5-1	1.5mm	32	0

**Angles specified are during quasi station operation*

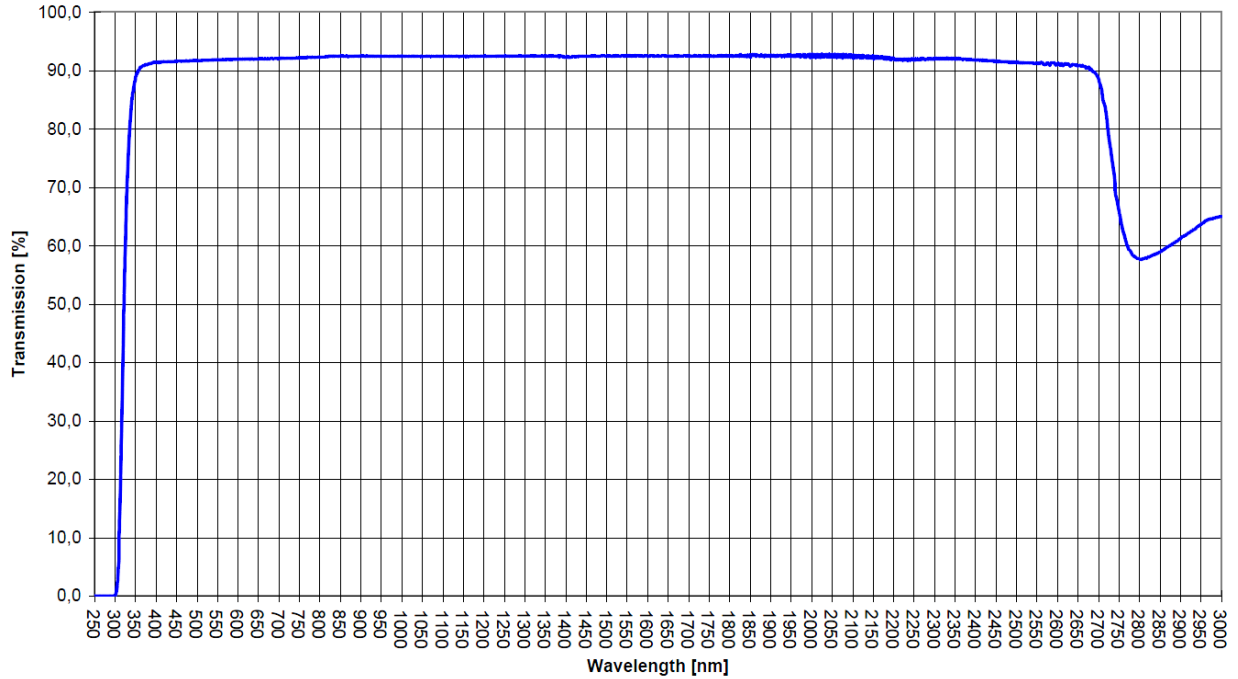
3.0 Package layout



Notes:

Please use our MEMS Driver Evaluation Board to evaluate the mirrors with the highest performance.

4.0 Window Glass: D263T Transmission Graph



5.0 Electrical Wiring

Part #	+X Axis	-X Axis	+Y Axis	-Y Axis	GND
PMC-TO39-0.8-1	Lead #1	Lead #4	Lead #2	Lead #5	Lead #3&6
PMC-TO39-1.0-1	Lead #1	Lead #4	Lead #2	Lead #5	Lead #3&6
PMC-TO39-1.2-1	Lead #1	Lead #4	n/a	n/a	Lead #2, 3, 5&6
PMC-TO39-1.5-1	Lead #1	Lead #4	n/a	n/a	Lead #2, 3, 5&6